

CATALOG NUMBER	STRANDED COPPER CONDUCTOR ACCOMMODATED			BOLT SIZE	METRIC BOLT SIZE	DIMENSIONS								
	CODE (AWG)	NAVY	METRIC SIZE (CLASS 2)			B	C	E	K DIA.	L	N	O.D.	T REF.	Z MIN.
YA252LN	1/0 AWG	100	-----	1/2	M12	.88 [22]	.83 [21]	1.75 [44]	.56 [14]	4.29 [109]	.63 [16]	.51 [13]	.11 [3]	.64 [16]
YA26L2TC14	2/0 AWG	125	70mm ² STR [11]	1/4	M6	.94 [24]	.83 [21]	.62 [16]	.27 [7]	2.64 [67]	.31 [8]	.56 [14]	.12 [3]	.33 [8]
YA26L2TC14E2				1/4	M6	.75 [19]		.27 [7]	2.76 [70]	.31 [8]	.33 [8]			
YA26L2TC14E1				1/4	M6	1.00 [25]		.27 [7]	3.01 [76]	.31 [8]	.33 [8]			
YA262L				5/16	-----	.88 [22]		.33 [8]	2.95 [75]	.34 [9]	.36 [9]			
YA26L2TC38				3/8	-----	1.00 [25]		.40 [10]	3.20 [81]	.41 [10]	.42 [11]			
YA262LN				1/2	M12	.94 [24]		.83 [21]	1.75 [44]	.56 [14]	4.39 [112]			.63 [16]

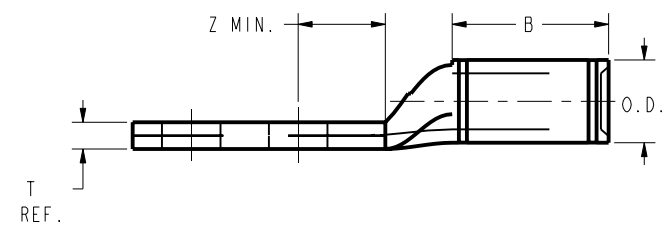
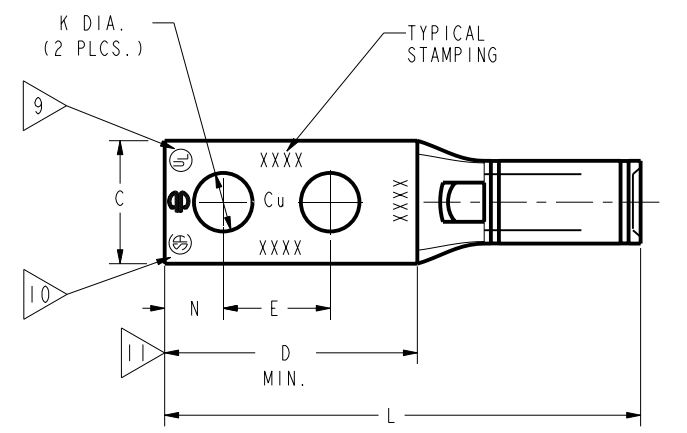
CONNECTOR SIZE	TOLERANCES						
	B	C	E	K DIA.	L	N	O.D.
-8C THRU -25	±.06	+.04 -.02	±.02	±.02	±.09	±.03	±.01
-26 THRU -34	±.08	+.04 -.02	±.02	±.02	±.12	±.03	±.01
-35 AND UP	±.09	±.06	±.02	±.02	±.15	±.06	±.01

TOLERANCE BLOCK

INSTALLATION TOOLING (# CRIMPS)																
CATALOG NUMBER	COLOR CODE	DIE INFORMATION			MECHANICAL				HYDRAULIC					DIELESS (# CRIMPS)	WIRE STRIP LENGTH	
		DIE INDEX	TYPE	Y2MR	OUR840	MD6 MD7	MD6--2 BAT500	MD7-34R	Y34A Y34B Y34BH	Y35, Y39 Y750, BAT35 BAT750	Y46	Y45	Y48B			Y60BHU
YA252LN	PINK	12 348	PINK DIE SET NEST INDENTOR	-----	X25RT(2)	W25RT(2) W25VT(2)	W25RT(2) W25VT(2)	W25RT(2) W25VT(2)	A25R(1)	U25RT(1) U2CABT(1)	U25RT(1) U2CABT(1)	U25RT(1) U2CABT(1)	-----	-----	MECHANICAL: MY29-3(1) MY29-11(1)	15/16"
YA26L2TC14 YA26L2TC14E2 YA26L2TC14E1 YA262L YA26L2TC38 YA262LN	BLACK	13	BLACK DIE SET NEST INDENTOR	-----	X26RT(2)	W26RT(2) W26VT(2)	W26RT(2) W26VT(2)	W26RT(2) W26VT(2)	-----	U26RT(1)	U26RT(1)	U26RT(1)	-----	-----	HYDRAULIC: Y644M(1) BAT644M(1)	1"

NOTES:

- MATERIAL: COPPER TUBING.
- FINISH: TIN PLATED.
- CATALOG # PT6515 ADAPTOR IS REQUIRED TO USE "U" DIES IN Y45 SERIES TOOLS.
- CATALOG # PUADP-1 ADAPTOR IS REQUIRED TO USE "U" DIES IN Y46 SERIES TOOLS.
- Y35P3 INDENTOR ADAPTOR REQUIRED FOR Y34PR INDENTOR.
- PERMANENT DIE IN TOOLING.
- DIMENSIONS IN BRACKETS [] ARE IN MILLIMETERS ROUNDED OFF TO THE NEAREST MILLIMETER, UNLESS OTHERWISE NOTED, AND ARE FOR REFERENCE ONLY.
- FOR USE BY CUSTOMERS THAT HAVE THIS HYPRESS™. NO NEW Y34A HYPRESS™ TOOLS ARE BEING PROCESSED. Y34A USES A--D TYPE NEST DIES.
- CONNECTORS ARE UL LISTED; UNDRILLED VERSIONS ARE NOT UL LISTED.
- CONNECTORS ARE CSA CERTIFIED; UNDRILLED VERSIONS ARE NOT CSA CERTIFIED.
- FOR UNDRILLED VERSIONS ADD SUFFIX "-U" TO END OF CATALOG NUMBER. FOR UNDRILLED VERSIONS, USE D MIN. = N MAX. + E MIN. + Z MIN.
- "X", "W-RT", "W-VT", "U", & "L" DIE SETS ARE COLOR CODED. "A", "B", AND "C" DIES ARE NOT COLOR CODED. NESTS AND INDENTOR TYPE ARE NOT COLOR CODED.



REFERENCE: SE209512
SUPERSEDES: SC91923

HYLUG™ COPPER	
ITEM NO:	N/A
CAT. NO:	YA--2L-, YA--2TC-- (TABLE)
DRAWN BY:	J. MICHAUD 11/18/94
CHECKER:	D. FILLION 11/18/94
DSN APPVL:	C. PALAGI 10/24/94
MFG APPVL:	--
QA APPVL:	C. ACKERMAN 11/17/94
MKT APPVL:	T. NELSON 11/10/94
PROD FAM:	--
PROJECT #:	--
DOCUMENT TYPE:	Sales
REL LEVEL:	Released



ndy.com

SCALE:	NTS
DRAWING NO:	SD035209
REV:	A
SHEET:	7 OF 18

REV: PE0200